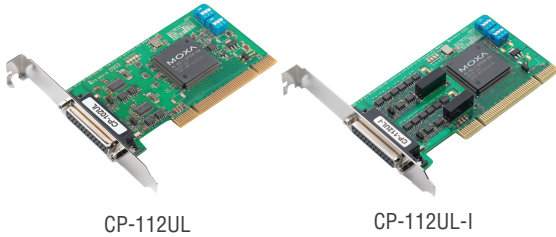


CP-112UL/UL-I Series

2-port RS-232/422/485 Universal PCI serial boards with optional 2 kV isolation



CP-112UL

CP-112UL-I

- > Over 700 kbps data throughput for top performance
- > 128-byte FIFO and on-chip H/W, S/W flow control
- > Universal PCI compatible with 3.3/5 V PCI and PCI-X
- > Serial communication speed up to 921.6 kbps
- > Drivers provided for a broad selection of operating systems, including the latest Windows and Linux
- > Easy maintenance with on-board LED display
- > Wide temperature model available for -40 to 85°C environments



Overview

Moxa's CP-112UL/UL-I series of multiport serial boards are designed to be used by industrial automation system integrators for long distance, multipoint, PC-based data acquisition applications. On-chip Automatic Data Direction Control for precision RS-485 communication requires precise timing control for enabling and disabling the line driver. Moxa's Turbo Serial Engine™ chip that powers the CP-112UL/UL-I boards comes with on-chip ADDC®, which makes RS-485 as

easy to use as RS-232. The boards come with 2 RS-422/485 serial ports, both of which can achieve data rates up to 921.6 kbps. In RS-485 mode, the serial port can connect up to 31 daisy-chained RS-485 devices within a range of 1.2 km. For long distance RS-485 communication, 2 kV electrical isolation protection is available to prevent equipment damage.

Drivers Provided for Windows, Linux, and Unix

Moxa continues to support a wide variety of operating systems, and the CP-112UL/UL-I boards are no exception. Reliable Windows

and Linux/Unix drivers are provided for all Moxa boards, and other operating systems, such as WEPOS, are also supported for embedded integration.

Specifications

Hardware

Comm. Controller: MU860 (16C550C compatible)
Bus: 32-bit Universal PCI
Connector: DB25 female

Serial Interface

Number of Ports: 2
Serial Standards: RS-232/422/485
Max. No. of Boards per PC: 4
Electrical Isolation: 2 kV (CP-112UL-I only)

Performance

Baudrate: 50 bps to 921.6 kbps

Serial Communication Parameters

Data Bits: 5, 6, 7, 8
Stop Bits: 1, 1.5, 2
Parity: None, Even, Odd, Space, Mark
Flow Control: RTS/CTS, XON/XOFF

Serial Signals

RS-232: TxD, RxD, RTS, CTS, DTR, DSR, DCD, GND
RS-422: TxD+(B), TxD-(A), RxD+(B), RxD-(A), GND
RS-485-4w: TxD+(B), TxD-(A), RxD+(B), RxD-(A), GND
RS-485-2w: Data+(B), Data-(A), GND

Physical Characteristics

Dimensions: 64.4 x 120 mm (2.53 x 4.72 in)

Driver Support

Windows: Windows 95/98/ME/NT/2000, Windows XP/2003/Vista/2008/7/8/8.1/10 (x86/x64), Windows 2008 R2/2012/2012 R2 (x64), DOS, Windows Embedded CE 5.0/6.0, Windows XP Embedded

Linux: Linux 2.4.x, 2.6.x, 3.x

Unix-like Systems: QNX 6, SCO OpenServer, UnixWare 7, Solaris 10, FreeBSD

Note: Please refer to Moxa's website for the latest driver support information.

Environmental Limits

Operating Temperature:

Standard Models: 0 to 55°C (32 to 131°F)
 Wide Temp. Models: -40 to 85°C (-40 to 185°F)

Storage Temperature: -40 to 85°C (-40 to 185°F)

Ambient Relative Humidity: 5 to 95% (non-condensing)

Standards and Certifications

EMC: EN 55022/24

EMI: CISPR 22, FCC Part 15B Class B

EMS:

IEC 61000-4-2 ESD: Contact: 4 kV; Air: 8 kV
 IEC 61000-4-3 RS: 80 MHz to 1 GHz: 3 V/m
 IEC 61000-4-4 EFT: Power: 1 kV; Signal: 0.5 kV
 IEC 61000-4-5 Surge: Power: 2 kV
 IEC 61000-4-6 CS: 150 kHz to 80 MHz: 3 V/m; Signal: 3 V/m
 IEC 61000-4-8 PFMF
 IEC 61000-4-11

MTBF (mean time between failures)

Time: 219,971 hrs

Standard: Telcordia (Bellcore) TR/SR

Power Requirements

Input Current:

CP-112UL: 175 mA @ 5 VDC

CP-112UL-I: 290 mA @ 5 VDC

Warranty

Warranty Period: 5 years

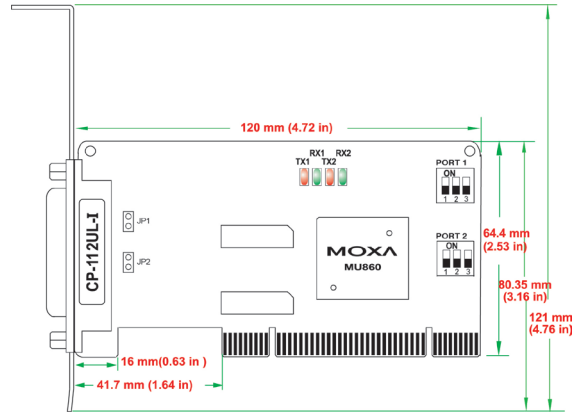
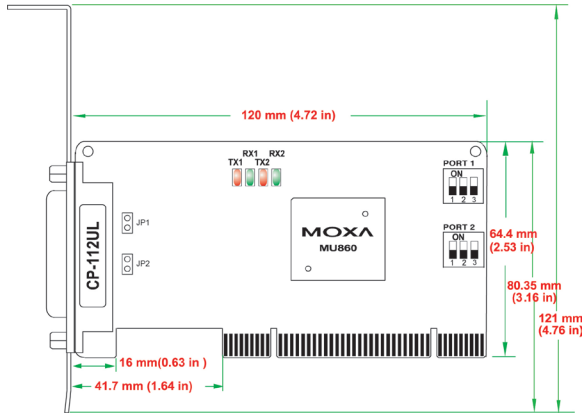
Details: See www.moxa.com/warranty

Dimensions

Unit: mm (inch)

CP-112UL

CP-112UL-I



Ordering Information

Available Models

CP-112UL-DB9M: 2-port RS-232/422/485 low profile Universal PCI board, 0 to 55°C operating temperature (CBL-M25M9x2-50 cable included)

CP-112UL-I-DB9M: 2-port RS-232/422/485 low profile Universal PCI board with electrical isolation, 0 to 55°C operating temperature (CBL-M25M9x2-50 cable included)

CP-112UL-T: 2-port RS-232/422/485 low profile Universal PCI board, -40 to 85°C operating temperature

CP-112UL-I-T: 2-port RS-232/422/485 low profile Universal PCI board with electrical isolation, -40 to 85°C operating temperature

Connection Options (can be purchased separately)

Low Profile Bracket: Bracket for DB44 connector (1490000001000)

CBL-M25M9x2-50: M25 to 2 x DB9-M cable, 50 cm

Package Checklist

- 1 CP-112UL or CP-112UL-I board
- Low profile bracket
- 1 connection cable (optional)
- Documentation and software CD
- Quick installation guide (printed)
- Warranty card

CBL-M25M9x2-50

DB25 male to DB9 male x 2 (50 cm cable)



PIN	RS-232	RS-422	RS-485-4W	RS-485-2W
1	DCD	TxD-(A)	TxD-(A)	-
2	RxD	TxD+(B)	TxD+(B)	-
3	TxD	RxD+(B)	RxD+(B)	Data+(B)
4	DTR	RxD-(A)	RxD-(A)	Data+(A)
5	GND	GND	GND	GND
6	DSR	-	-	-
7	RTS	-	-	-
8	CTS	-	-	-
9	-	-	-	-

DB9 male

